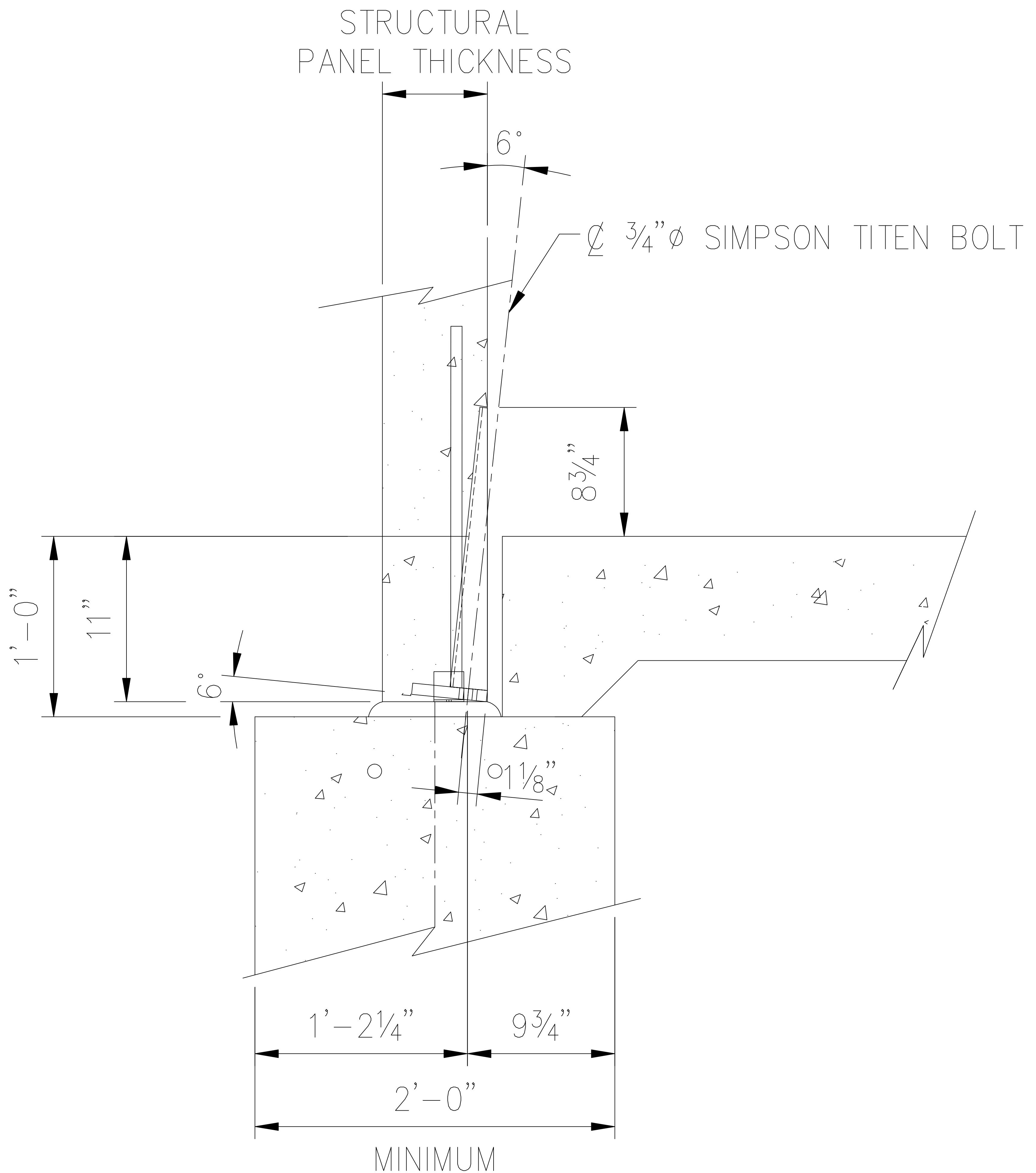


CONNECT-EZ™

“THE SAFE CONNECTION”



CONNECT-EZ™ "PA12"

PATENT PENDING

WWW.THECONNECT-EZ.COM

8/15/13